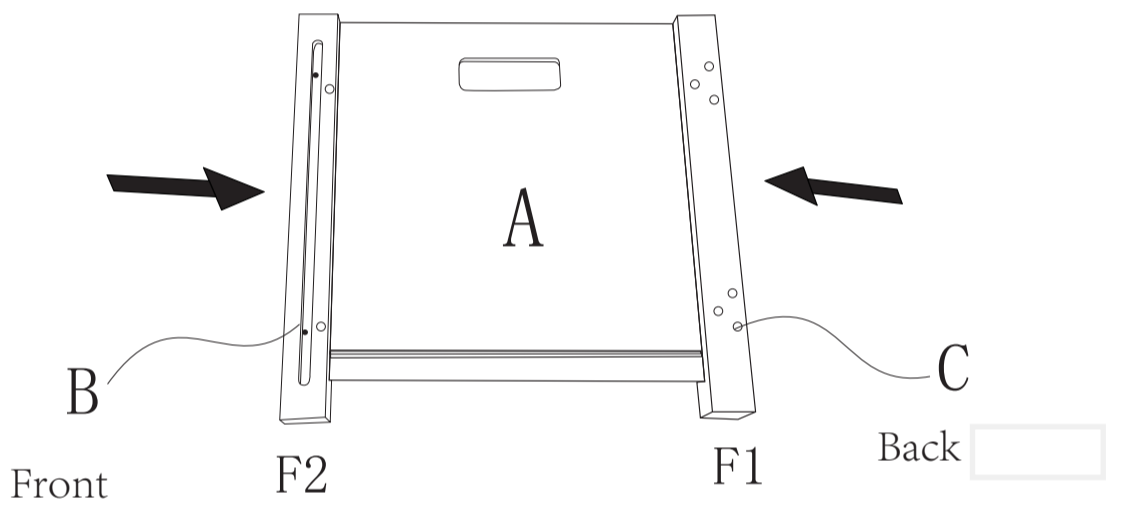
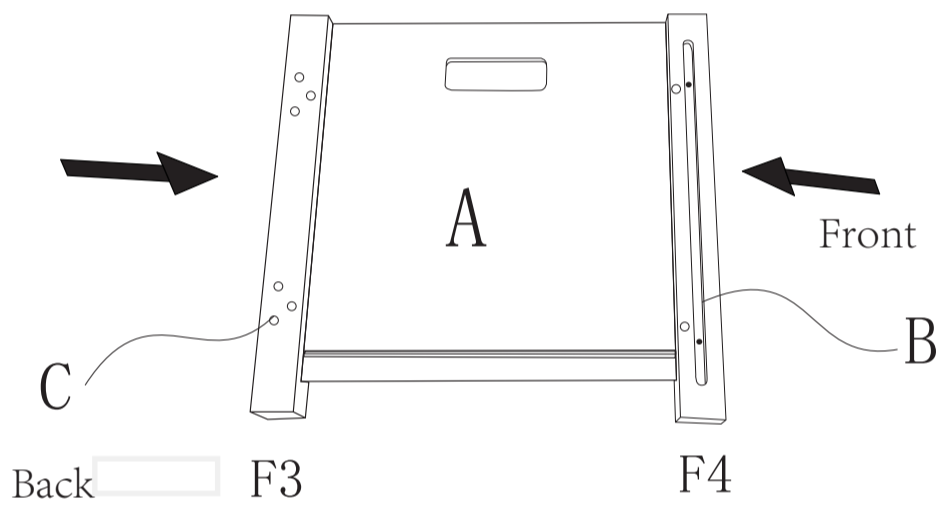
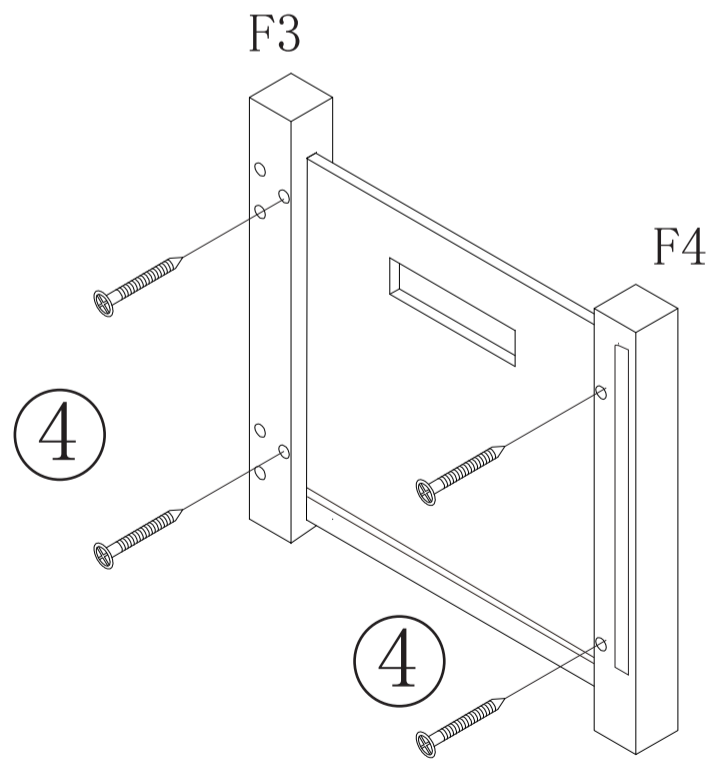
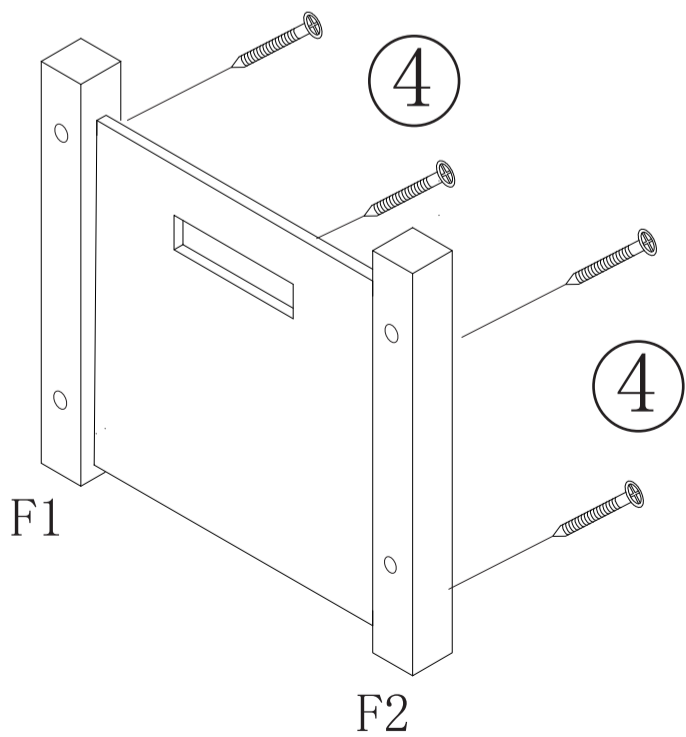


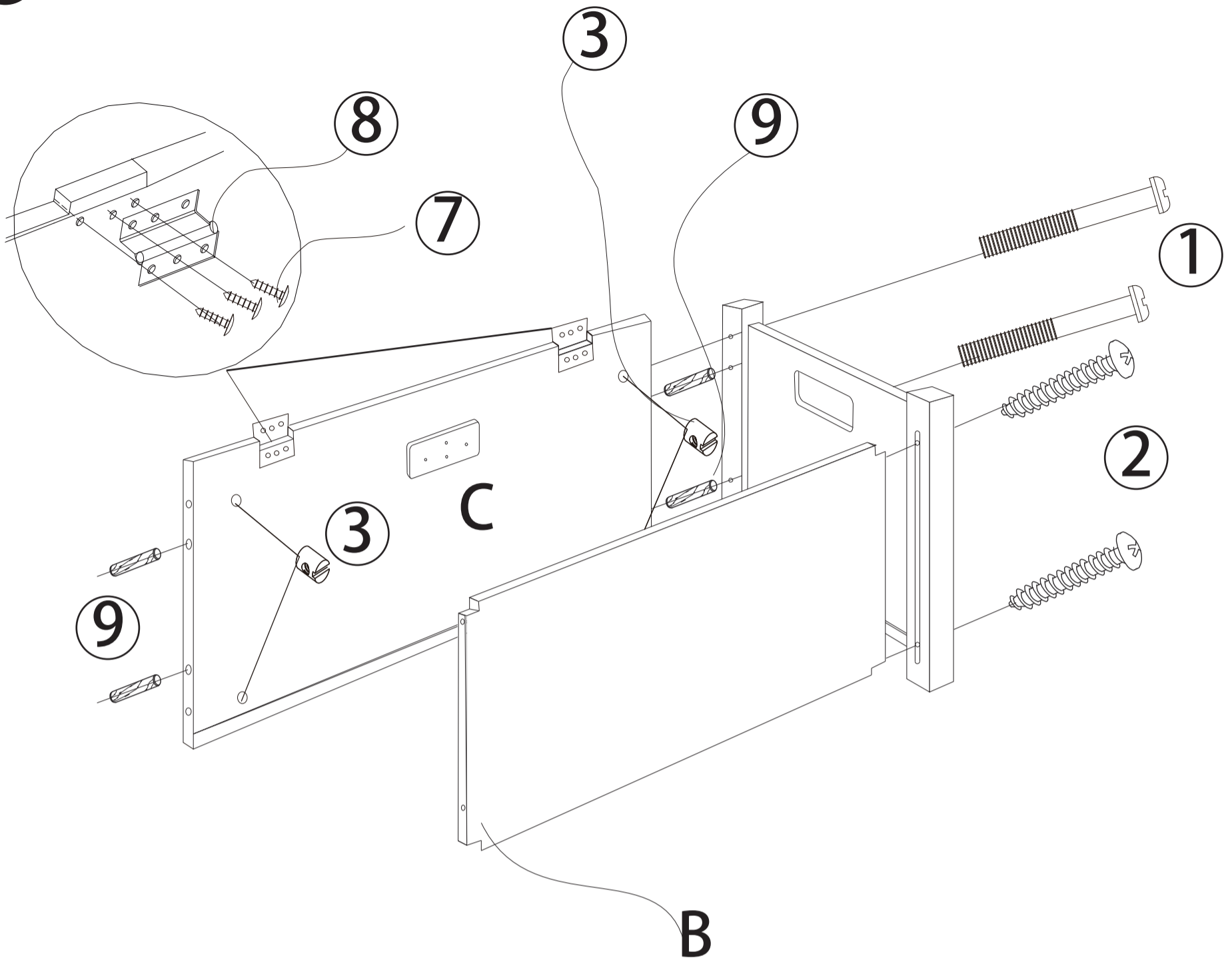
TOOLS REQUIRED - PHILLIPS HEAD SCREW DRIVER
PLEASE TAKE CARE NOT TO OVERTIGHTEN SCREWS



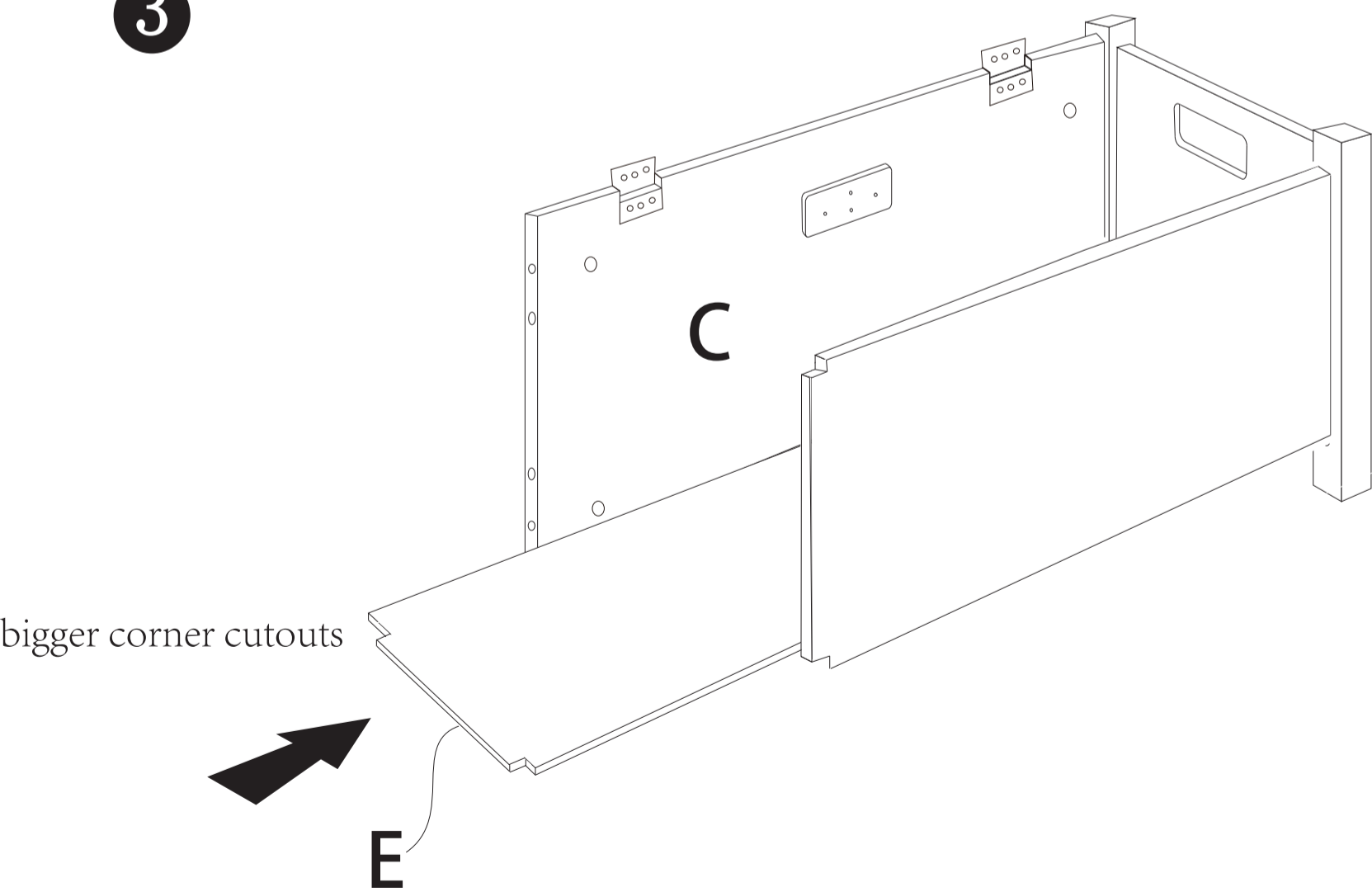
1



2

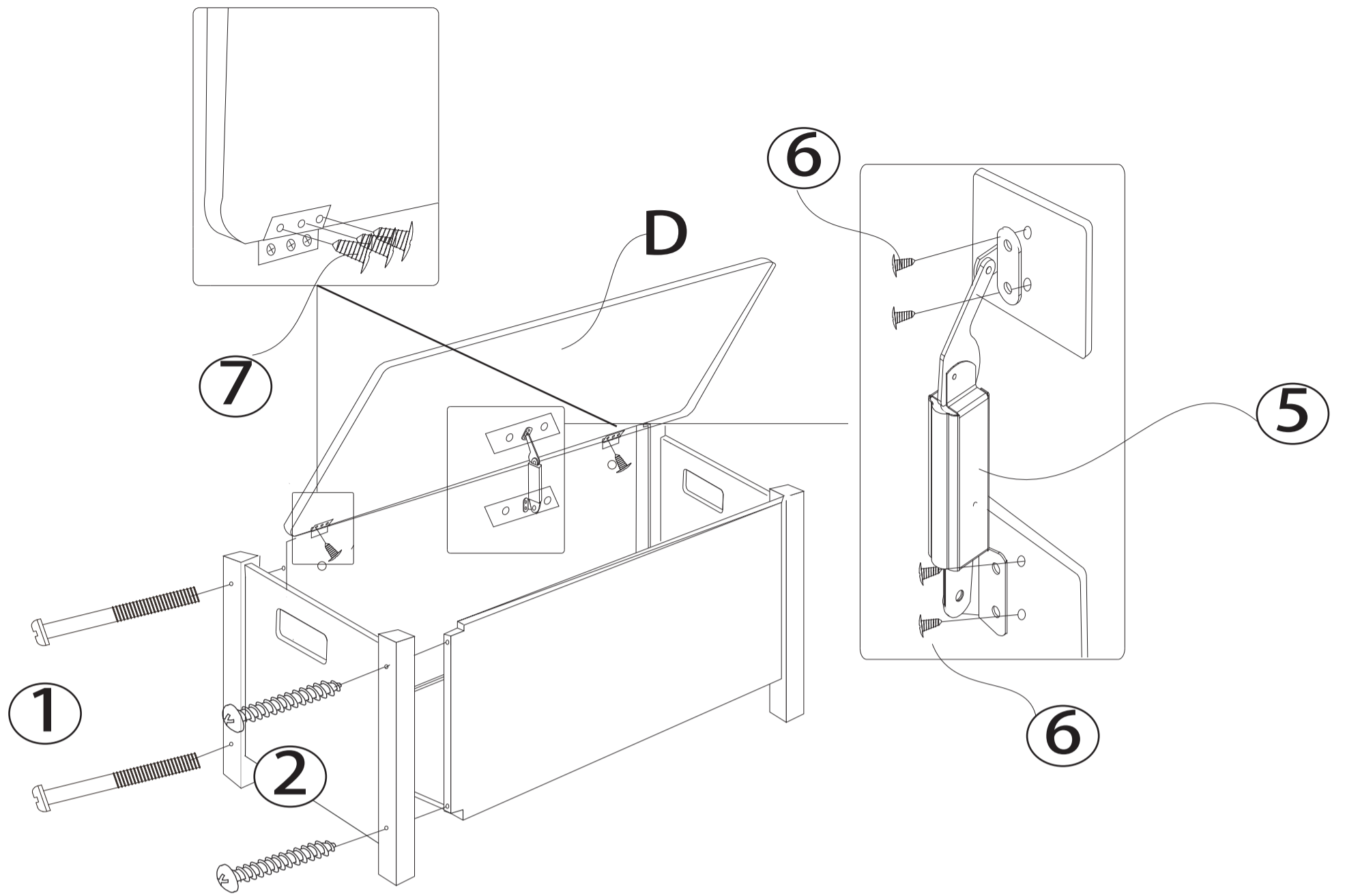


3

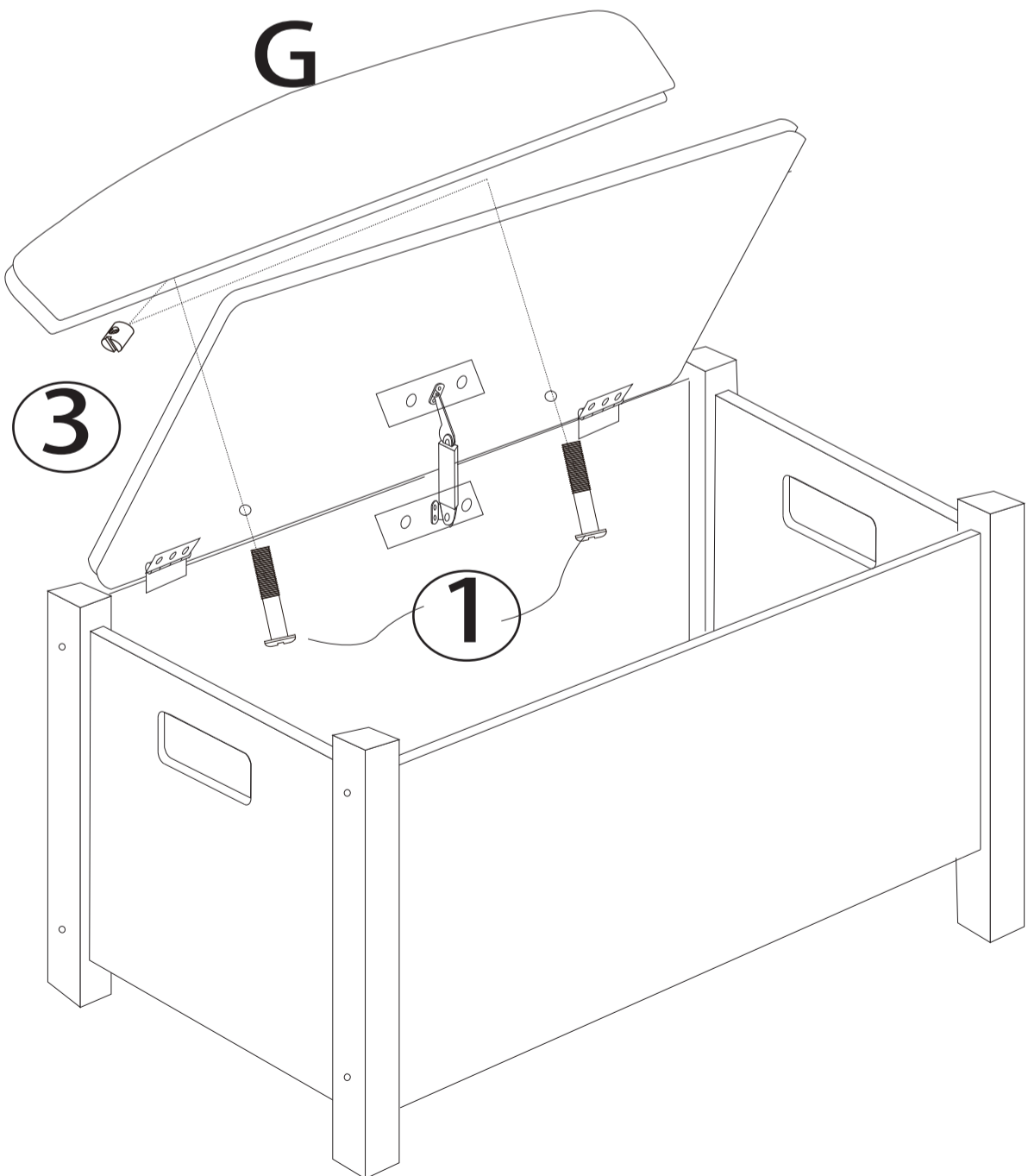


Panel E-Bigger corner cutout goes to the back panel(the one with wood block Panel C)

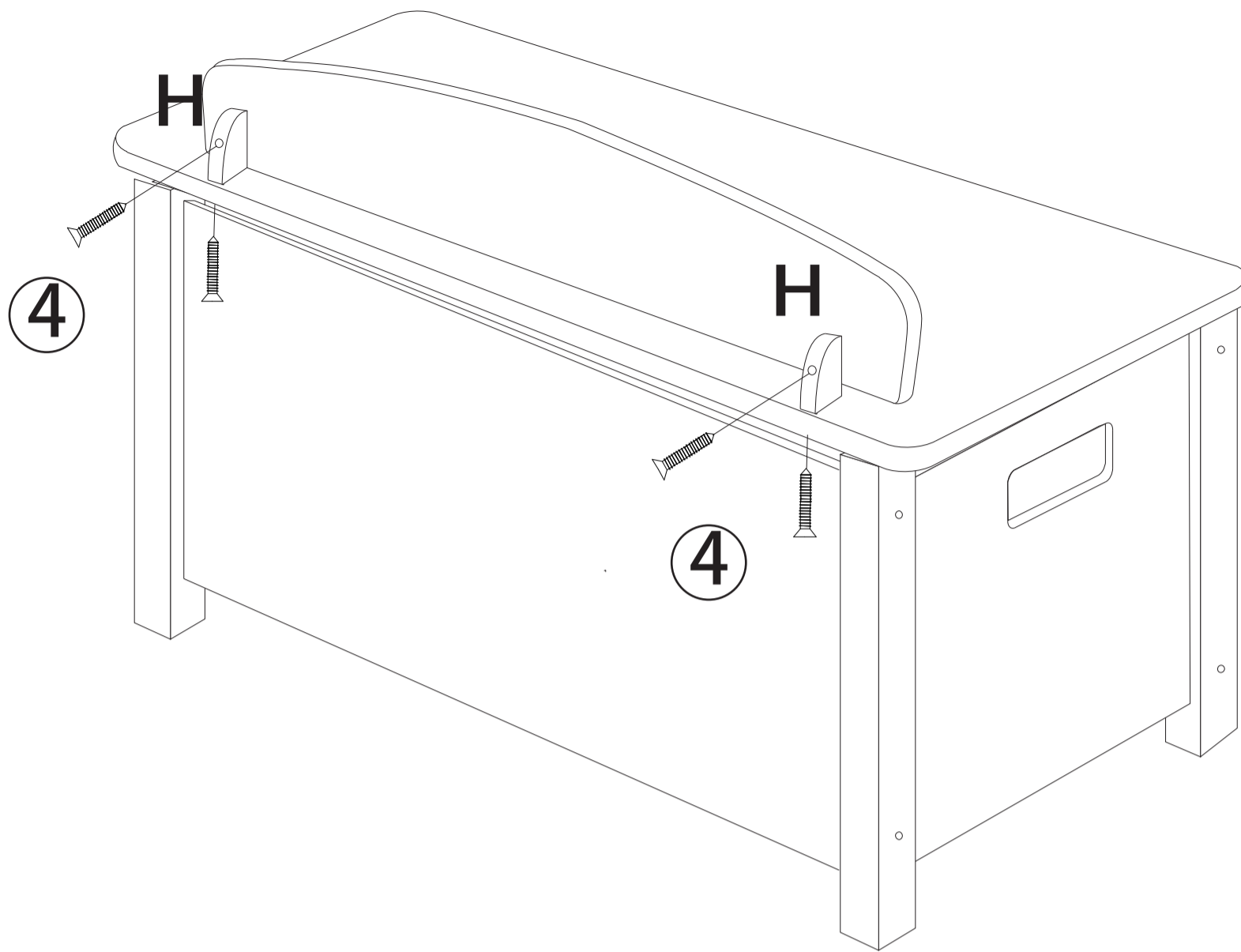
4



5



6



7

